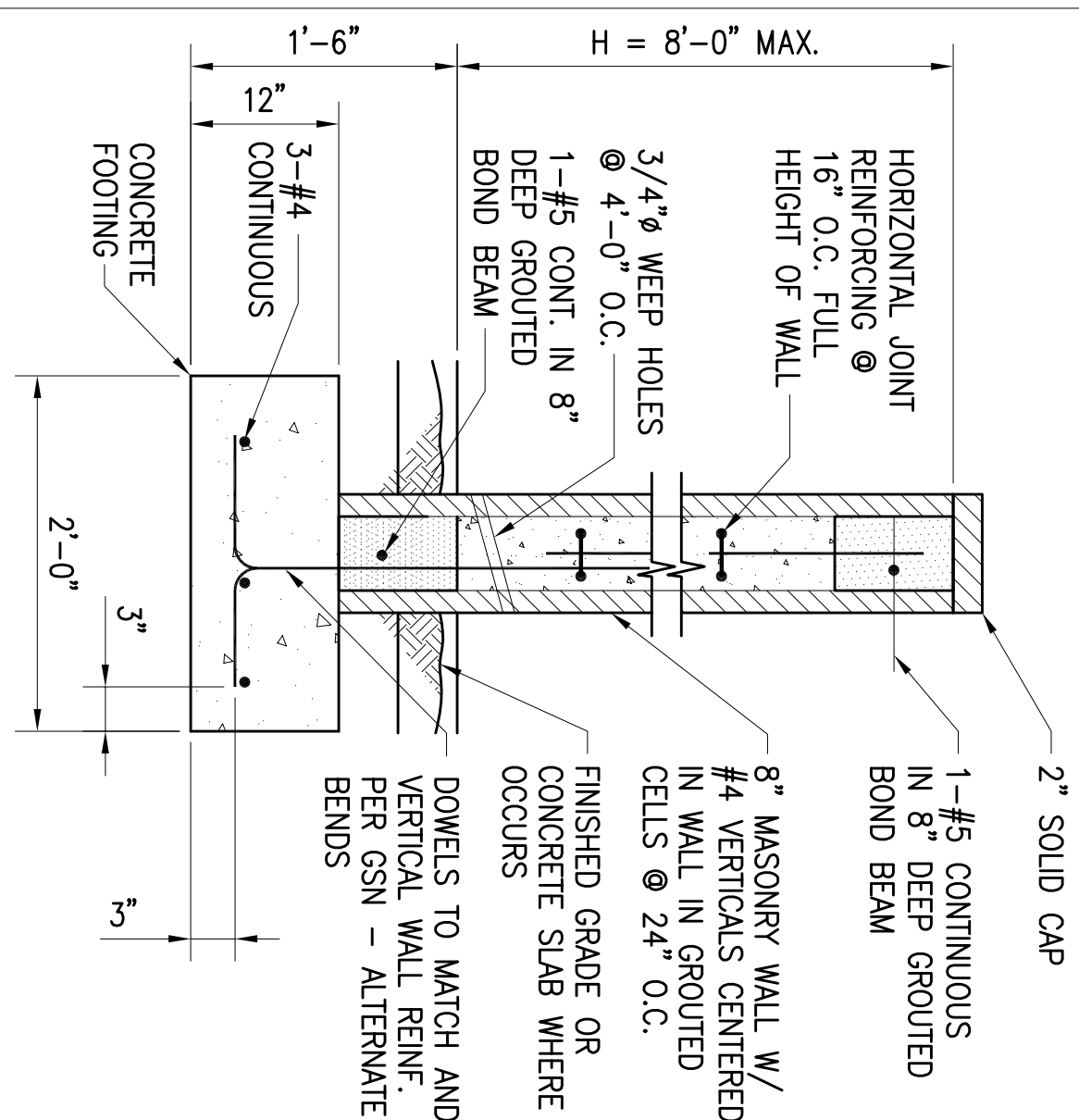


**SECTION**

SCALE: 3/4" = 1'-0"

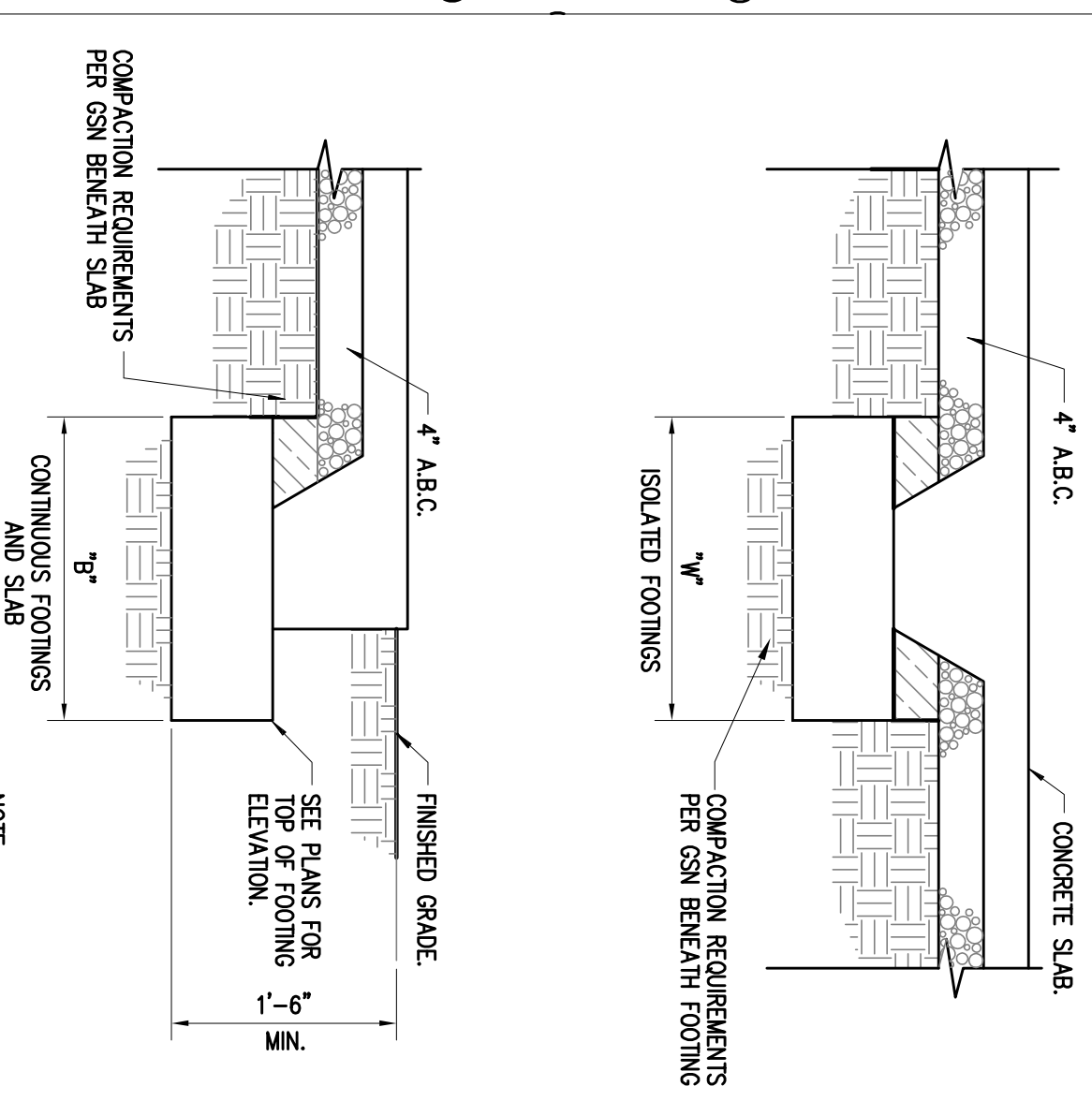
A



**8'-0" MAX. FREE-STANDING MASONRY WALL AND FOOTING**

SCALE: NTS

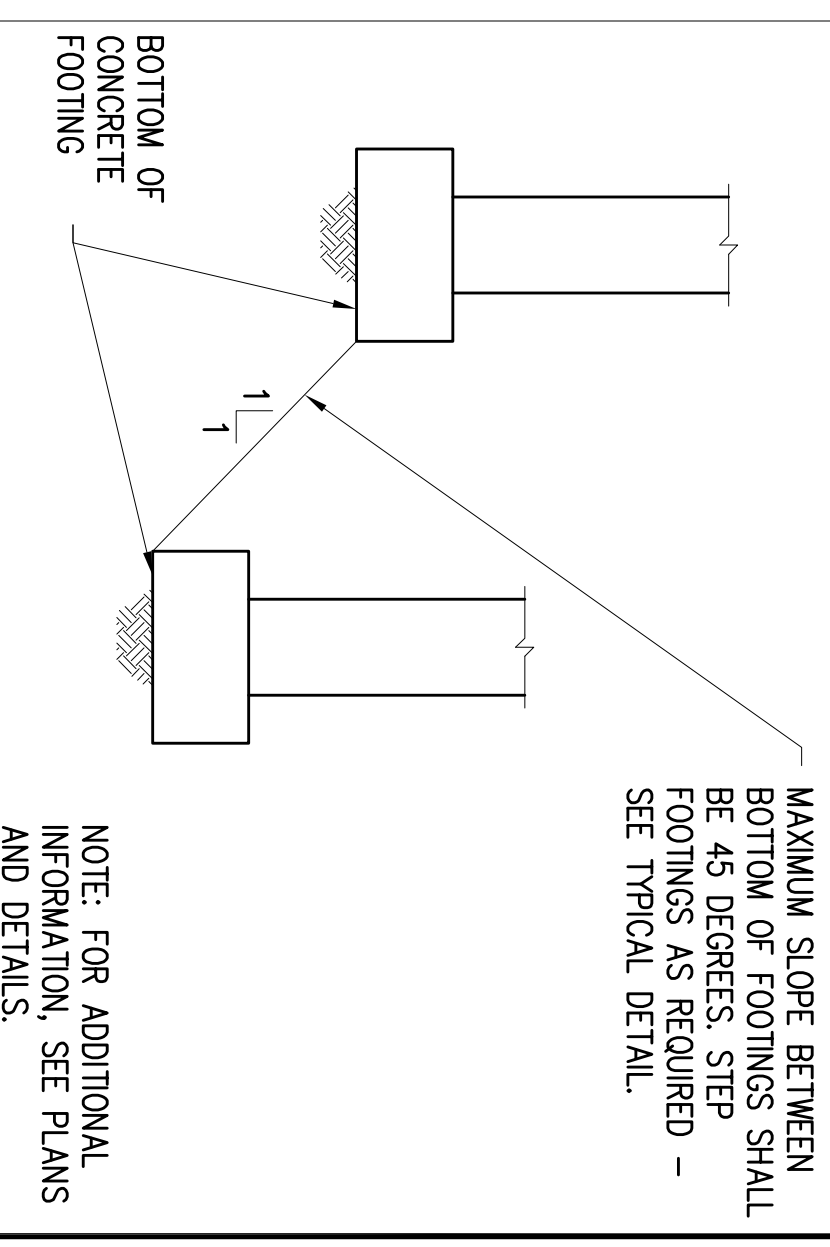
B



**TYPICAL EARTHWORK DETAIL**

SCALE: NTS

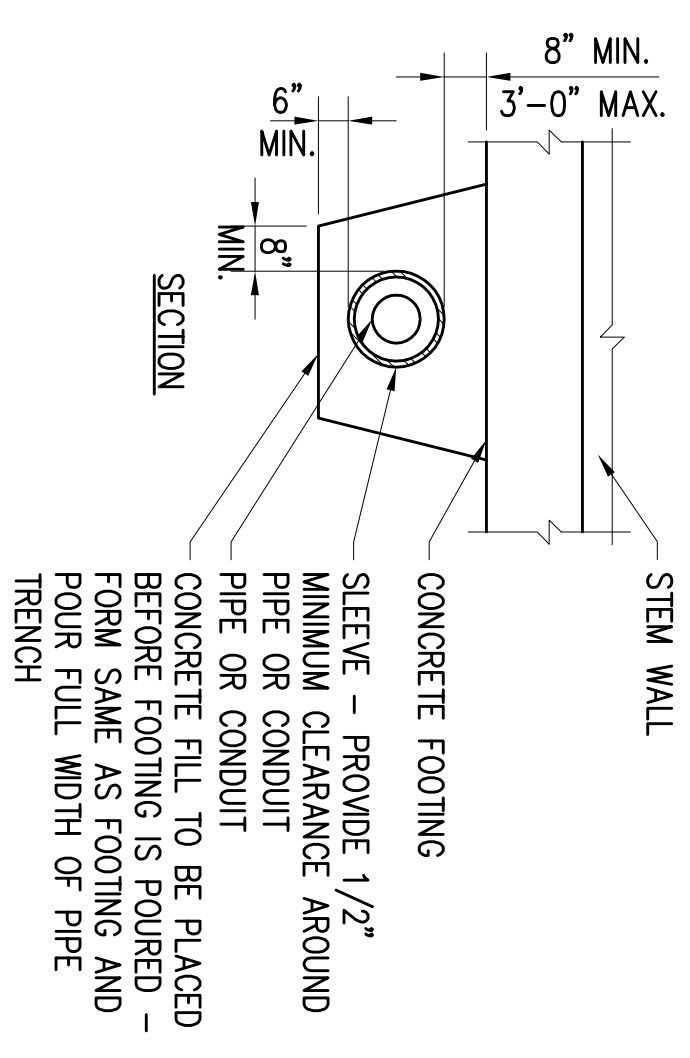
1



**MAX. SLOPE BETWEEN ADJACENT FOOTING**

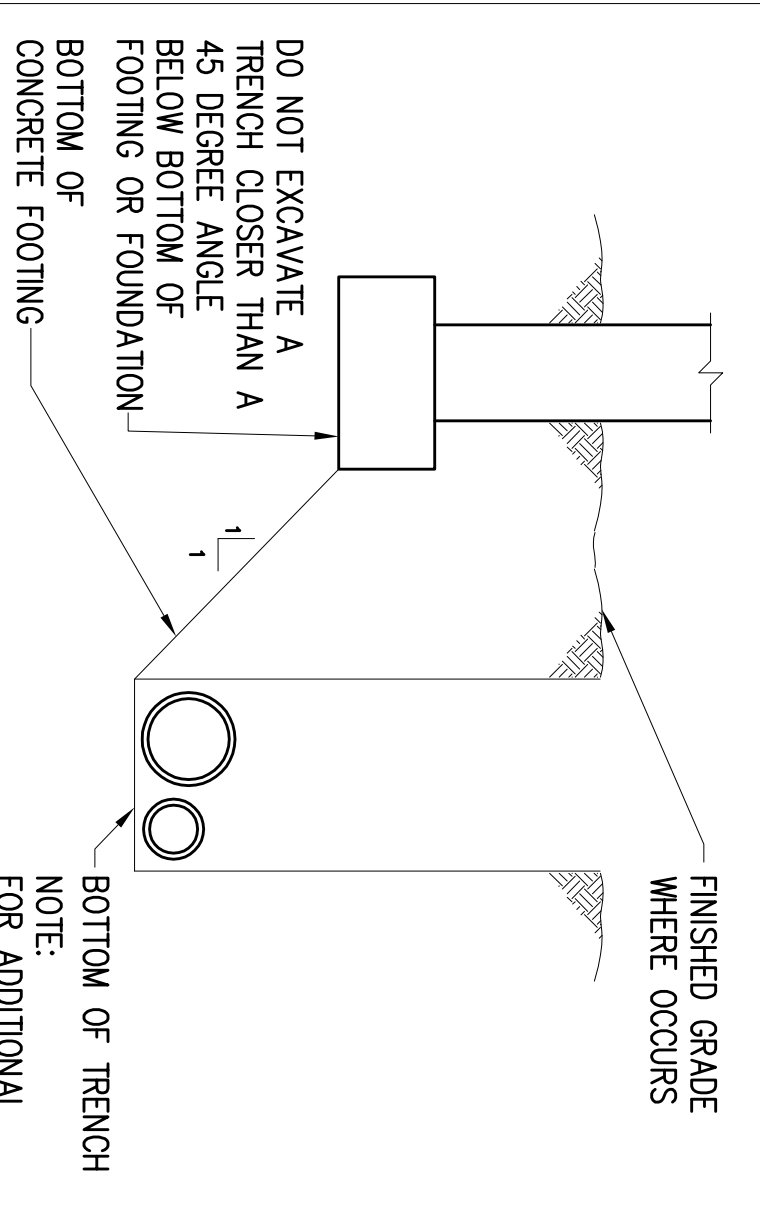
SCALE: NTS

2



NOTES:  
A. NO PIPE SHALL PASS THRU FOOTINGS OR UNDER COLUMN FOOTINGS.  
B. FOR TRENCHES GREATER THAN 3'-6" BELOW BOTTOM OF FOOTING, SEE PIPE PASSING BELOW WALL FOOTING DETAIL.

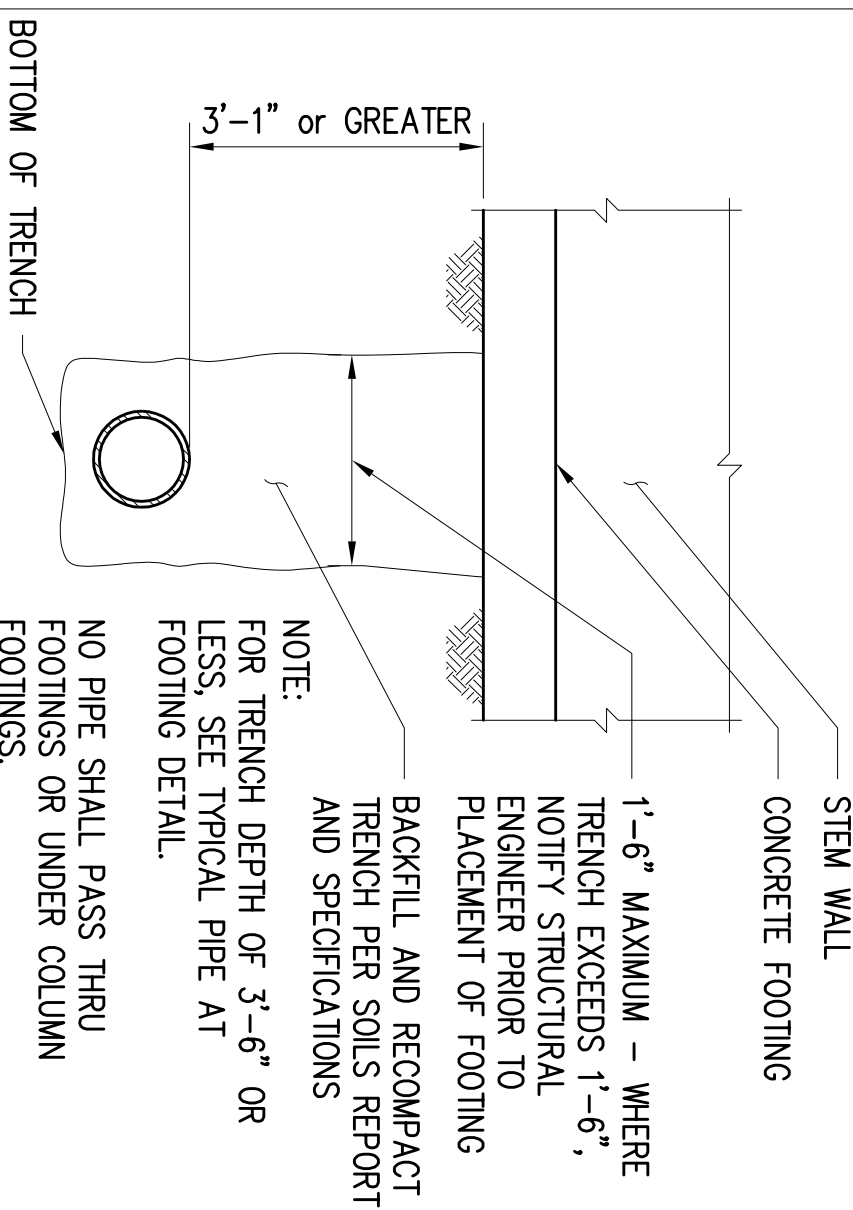
NOTE:  
PIPES LOCATED GREATER THAN 3'-0" BELOW FOOTING BASE MAY BE BACKFILLED WITH COMPACTED FILL PER SPECIFICATIONS



**TRENCH PARALLEL TO FOUNDATION**

SCALE: NTS

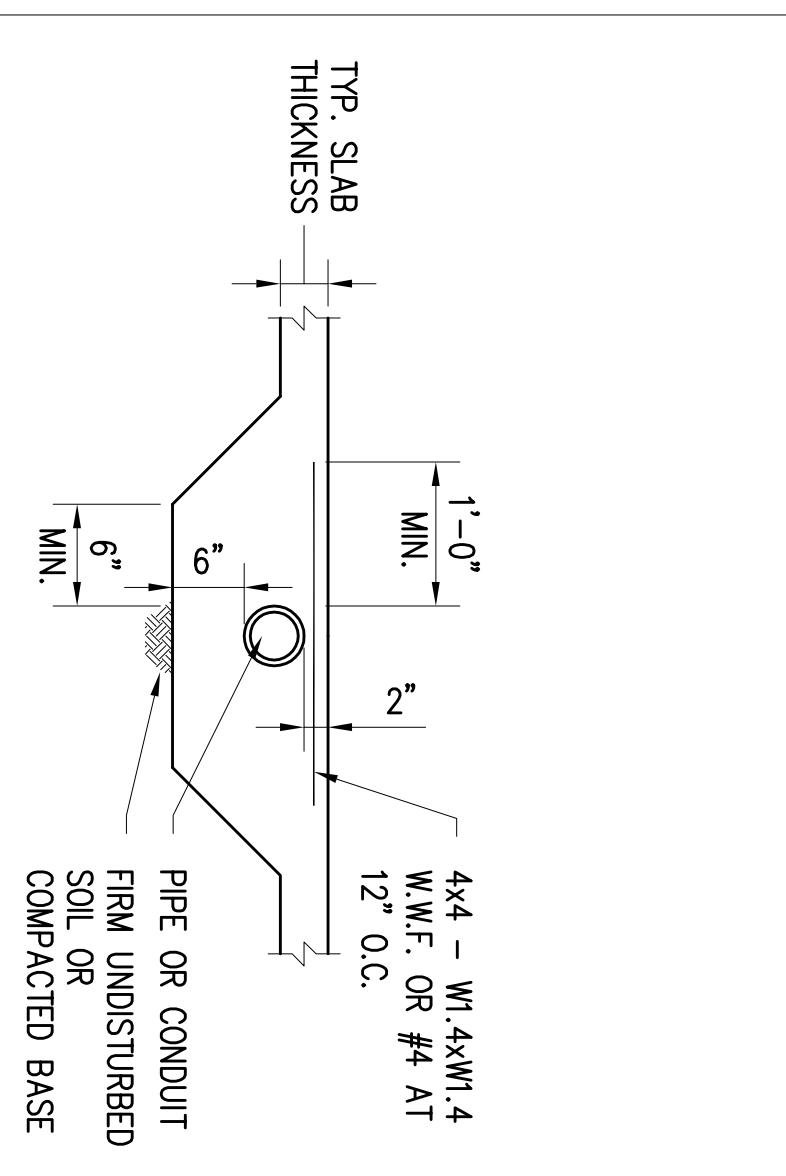
3



**PIPE PASSING BELOW WALL FOOTING IN DEEP TRENCH**

SCALE: NTS

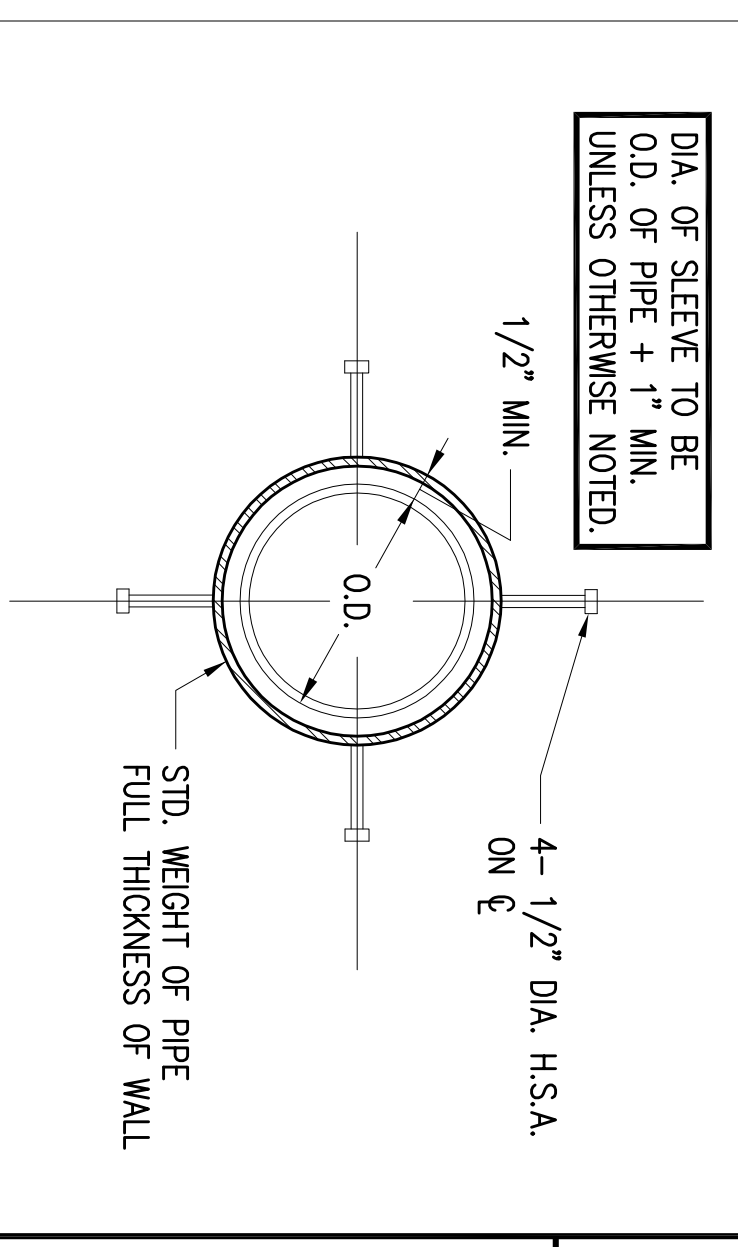
4



**SLEEVE FOR PIPE @ SLAB**

SCALE: NTS

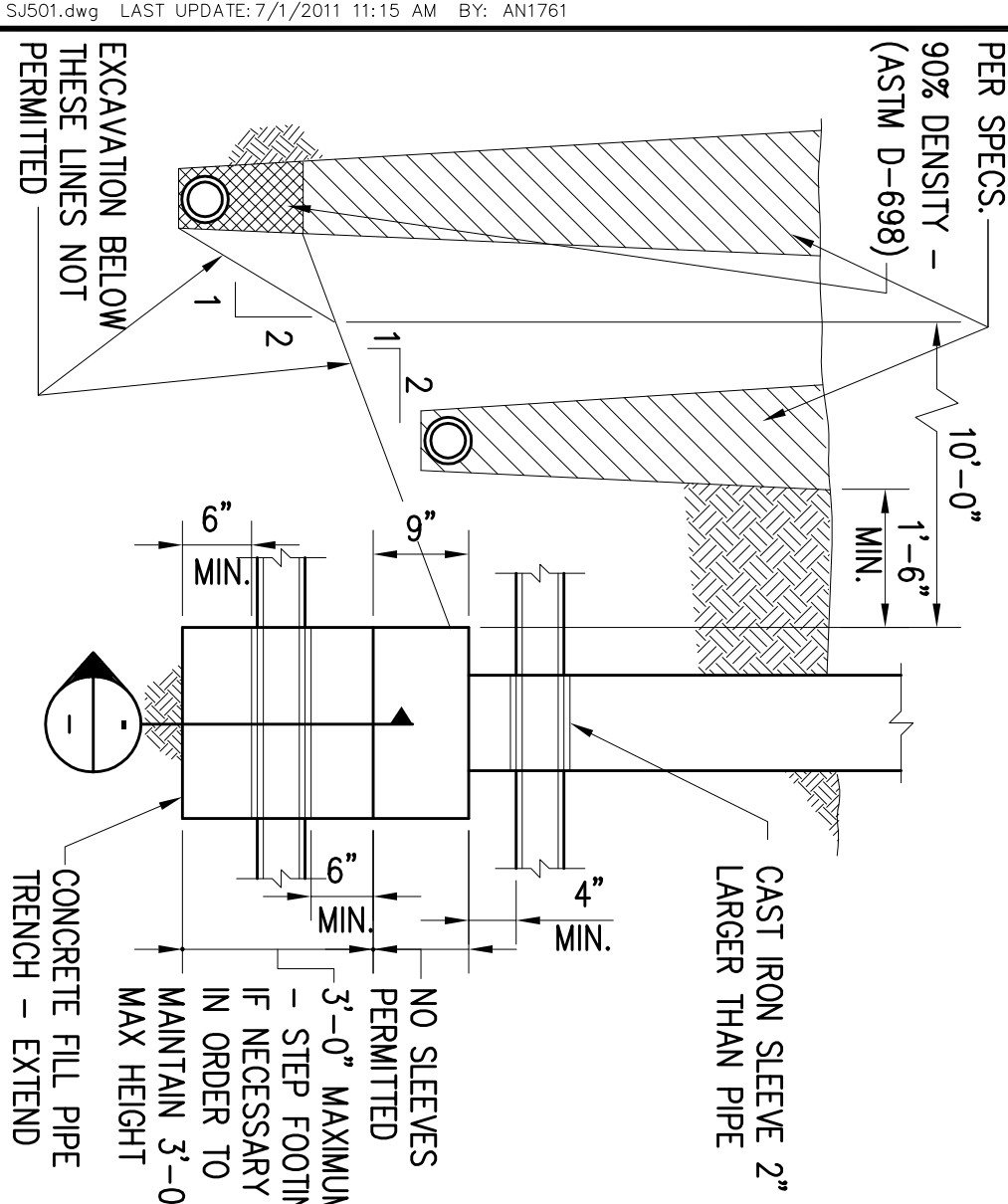
5



**EMBEDDED PIPE SLEEVE DET.**

SCALE: NTS

6



**PIPE PASSING BELOW WALL FOOTING IN DEEP TRENCH**

SCALE: NTS

7

CONC. PSI	TENSION SPlice LENGTHS (CLASS B)				CONC. BARS
	REGULAR TOP	REGULAR TOP	REGULAR TOP	STD. W/ SPIRAL LAPS	
#3	24"	36"	31"	46"	19"
#4	32"	47"	41"	61"	15"
#5	39"	59"	51"	77"	12"

NOTES:  
1. TOP BARS ARE ANY HORIZONTAL BARS PLACED SO THAT MORE THAN 12" OF FRESH CONCRETE IS CAST IN THE MEMBER BELOW THE REINFORCEMENT.  
2. CONCRETE COVERAGE AROUND REINFORCING SHALL NOT BE LESS THAN THE DIAMETER OF THE BAR.

**MIN. REINF. BAR SPLICE LENGTHS IN CONC.**

SCALE: NTS

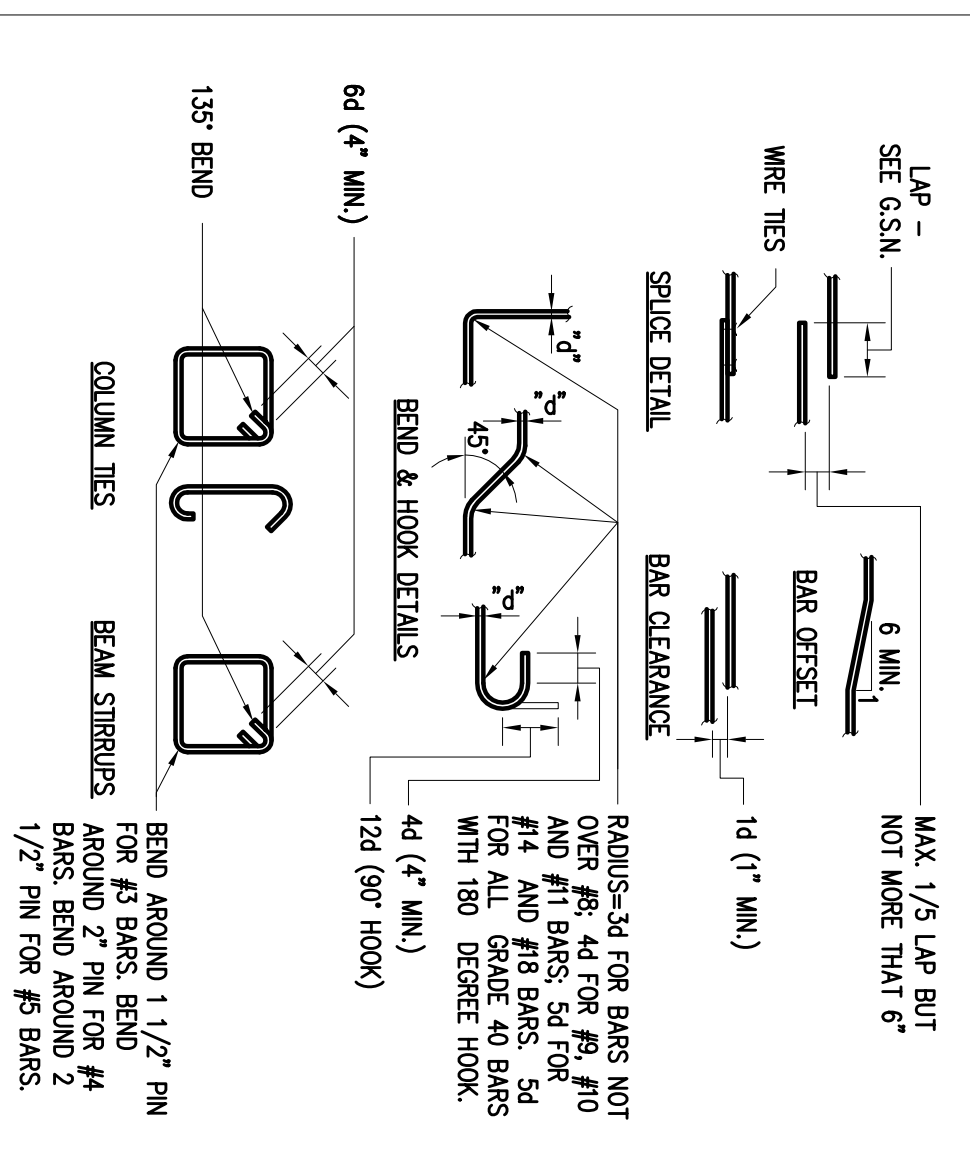
8

BAR SIZE	FINISHED BEND DIA. D, IN.	END HOOKS, ALL GRADES	
		A OR G, IN.	A OR G, IN.
#3	2.25	5	3
#4	3	6	4
#5	3.75	7	5

**TYP. REINF. HOOK SCHEDULE**

SCALE: NTS

9



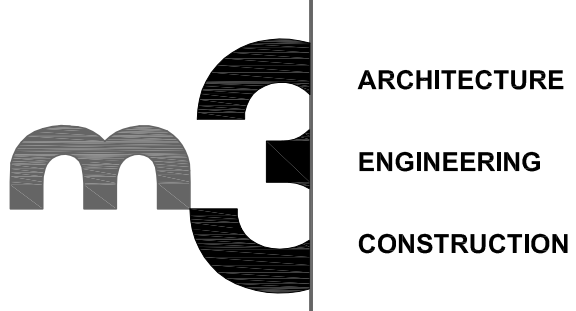
**TYPICAL CONC. REINF. BAR DETAILS**

SCALE: NTS

10



**RICHEY BLVD. FUEL TANK REPLACEMENT**  
PIMA COUNTY  
FACILITIES MANAGEMENT  
150 WEST CONGRESS, 5TH FL.  
TUCSON, AZ 85701



2051 W. SUNSET RD.  
SUITE NO. 101  
TUCSON, ARIZONA 85704  
TEL: (520) 293-1488  
FAX: (520) 293-8349  
WWW.M3ENP.COM

Revisions	Description	Date
1	Drawn: JA	
2	Checked: IB	
3	Issue Date: 12-17-2010	
4	Drawing Title: STRUCTURAL SECTIONS & TYPICAL DETAILS	
5	Sheet Number: SJS01	
6	M3PN 100100	
7	Last Update: 7.1.2011	